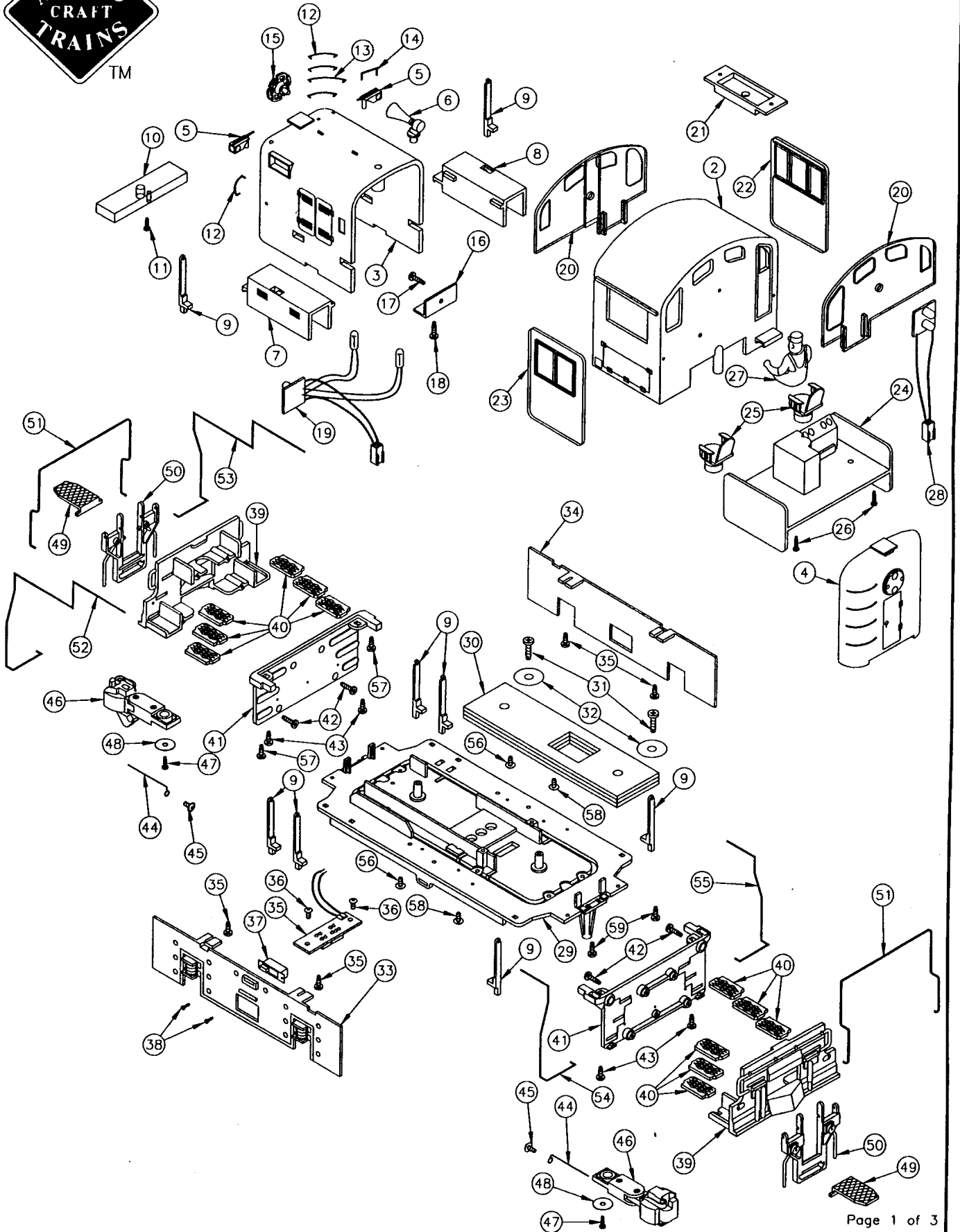




# ART-22500 SERIES LIL' CRITTER DIESEL LOCOMOTIVE

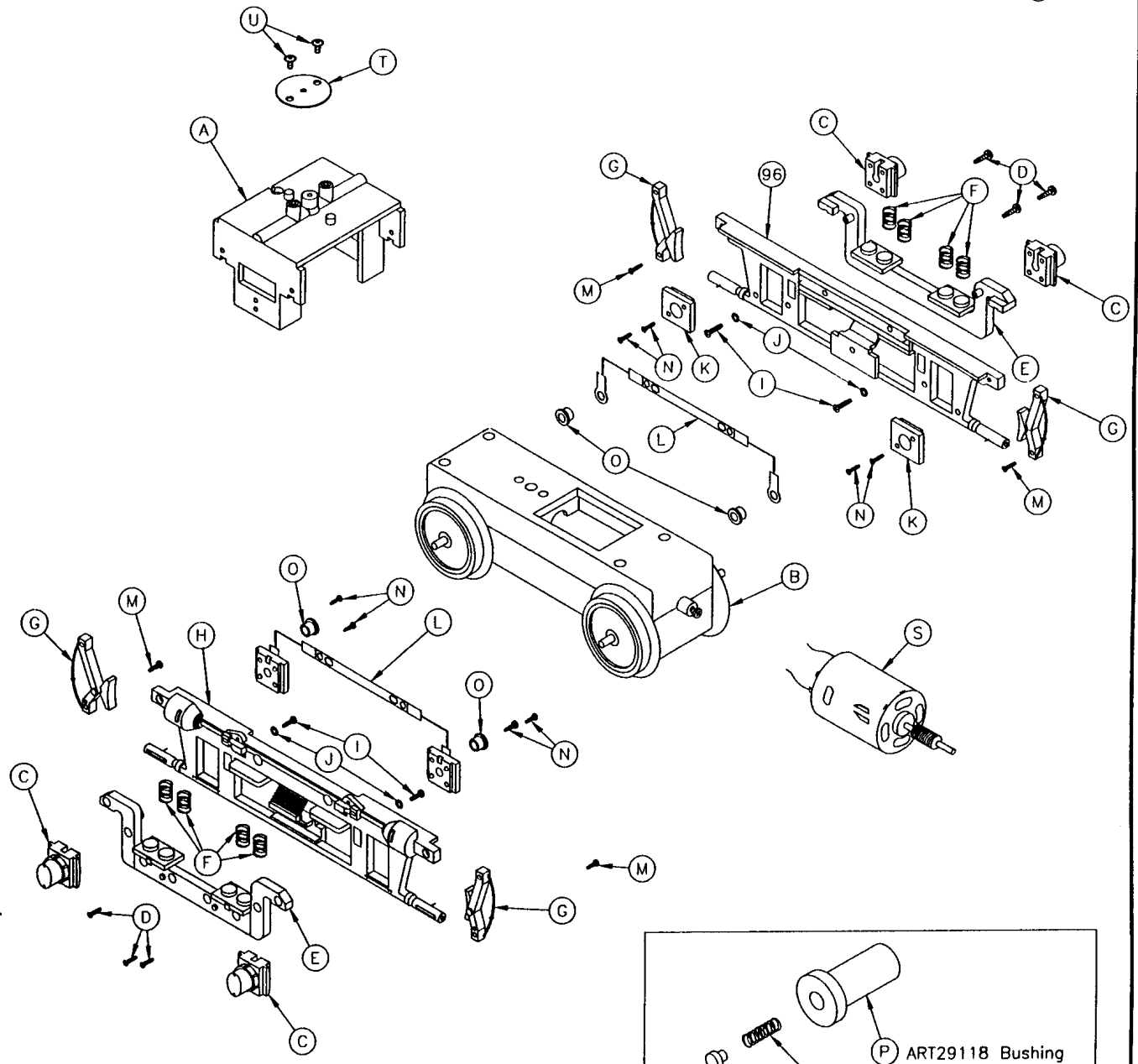
## EXPLODED PARTS DIAGRAM

1 Gauge 1:29 SCALE



# ART-22500 SERIES LIL' CRITTER DIESEL LOCOMOTIVE

## EXPLODED PARTS DIAGRAM



ART29118 Bushing  
 ART29409 Spring  
 ART29408 Brush

**ATTENTION CUSTOMERS**

When Ordering Spare Parts For Side Frames. Please Verify That The Side Frame You Are Ordering Against Is Either Previous or Modern. If You Wish To Upgrade, Be Sure to Order Items C and K In Addition To Items P, Q, and R.



1:29

# ART-22500 SERIES LIL' CRITTER DIESEL LOCOMOTIVE , PARTS LIST-ORDER FORM



SPECIFY ROADNAME/ART#: \_\_\_\_\_ Insert Quantity

Part #	Description *	Price	Quantity Ordered
82100-01	Instruction Manual	\$ 1.00	
82100-02	Cab	10.00	
82100-03	Long Hood	5.00	
82100-04	Short Hood	2.50	
82100-05	Marker Lights	2.00	
82100-06	Horn	1.00	
82100-07	L.H. Battery Box	2.00	
82100-08	R.H. Battery Box	2.00	
82100-09	Handrail Stairtions	1.00	
82100-10	Long Hood Number Board	1.50	
82100-11	Number Board Retainer Screw	.25	
82100-12	Small Ladder Iron	.50	
82100-13	Large Ladder Iron	.60	
82100-14	Grab Iron	.50	
82100-15	Brake Wheel	1.00	
82100-16	Cab Retainer Bracket	1.00	
82100-17	Cab to Bracket Retainer Screw	.25	
82100-18	Bracket to Chassis Retainer Screw	.25	
82100-19	Cab and Long Hood Lighting Module	15.00	
82100-20	Cab Forward and Rear Windows	2.00	
82100-21	Cab Light Housing	2.00	
82100-22	Engineers Side Window	2.00	
82100-23	Fireman's Side Window	15.00	
82100-24	Cab Floor and Control Stand	5.00	
82100-25	Crew Seats	2.50	
82100-26	Crew Seat Screw	.25	
ART-60001	Engineer	5.95	
82100-28	Short Hood Lighting Module	7.50	
82100-29	Chassis	12.50	
82100-30	Weight Stack	2.50	
82100-31	Weight Stack Retainer Screw	.25	
82100-32	Washer	.25	
82100-33	L.H. Skirt	2.50	
82100-34	R.H. Skirt	2.50	
82100-35	Control Module	5.00	
82100-36	Control Module Retainer Screw	.25	
82100-37	Power On / Off Switch	1.50	
82100-38	On / Off Switch Retainer Screw	.25	
82100-39	Front and Rear Pilot	5.00	
82100-40	Steps	1.00	
82100-41	Front and Rear Pilot and Step Mount	4.50	
82100-42	Pilot Retainer Screw	.25	
82100-43	Pilot Mount Retainer Screw	.25	
82100-44	Coupler Centering Spring	1.00	
82100-45	Coupler Centering Spring Screw	.25	
ART-29201	Coupler RS-3 Lil' Critter Peculiar (pair)	7.95	
82100-47	Coupler Mounting Screw	.25	
82100-48	Coupler Mounting Screw Washer	.25	
82100-49	Front and Rear Crossover Plank	1.00	
82100-50	Front and Rear Crossover and MU Housing	2.50	
82100-51	Front and Rear Hand Rails	2.50	
82100-52	L.H. Long Hood Hand Rail	2.50	
82100-53	R.H. Long Hood Hand Rail	2.50	
82100-54	L.H. Short Hood Hand Rail	2.00	
82100-55	R.H. Short Hood Hand Rail	2.00	
82100-56	Battery Box Retainer Screw	.25	
82100-57	Long Hood Retainer Screw	.25	
82100-58	Cab Retainer Screw	.25	
82100-59	Short Hood Retainer Screw	.25	

\* one piece unless otherwise noted

Allow 4-6 weeks for processing and delivery.

PLEASE PRINT CLEARLY

NAME: \_\_\_\_\_

ADDRESS \_\_\_\_\_

CITY: \_\_\_\_\_ STATE: \_\_\_\_\_ ZIP \_\_\_\_\_

PHONE: (\_\_\_\_) - \_\_\_\_ - \_\_\_\_\_

RETURN THIS FORM WITH YOUR ORDER  
A REPLACEMENT FORM WILL BE SENT WITH YOUR ORDER

NOTE: When ordering replacement parts or repair request, please refer to proper 5 or 7 digit number listed.

XX refers to last two digits of roadname ART freight car number when part is painted to match, i.e. ART-22508 NEW YORK CENTRAL. 22508-02 would then refer to the CAB for NEW YORK CENTRAL CRITTER ART-22508. If part is same FOR ALL CRITTERS, 22500-plus 2 digit number would then be used to denote specific part, i.e. 22500-29 CHASSIS. When part is same FOR ALL CRITTERS and OTHER FREIGHT CARS, 29200 (or other #-plus 2 digit number) would be used to denote specific part regardless of roadname/car type. Please specify roadname/ART # on line above part # list.

Unpainted/painted part(s) will be substituted if the painted to match part(s) ordered are not available.

In addition to Price Each shown please enclose...

\$5.00 shipping & handling if order is domestic US.

\$15.00 shipping & handling if order is foreign

Include proper payment for parts plus shipping/handling with your (USA Bank Account Only) check/money order payable in US Dollars (\$) to: Polk's Hobbies. Please DO NOT SEND CASH. Sorry no C.O.D.'s for parts.

New Jersey residents add 7% NJ State Sales Tax.

Be Sure to include your name, street address (no Post Office Box please), city, state (or province), country (if outside USA), and postal zip code, along with daytime phone number including Area Code, so that you may be contacted if necessary.

Mail order form and payment to:

ARISTO-CRAFT TRAINS  
698 SOUTH 21ST STREET  
IRVINGTON, NJ 07111-4109

CHARGE CARD: MC \_\_\_ VISA \_\_\_ AMEX \_\_\_ DIS \_\_\_

CARD # \_\_\_\_\_

EXP DATE \_\_\_ / \_\_\_